

EON15P-1 Powered Speaker System

Application:

Live sound reinforcement, speech, vocals, and music playback in entertainment, A/V, and institutional venues – especially when ease of use, audio quality and portability are important factors.

Amplification and monitoring for electronic musical instruments.

Key Features:

- ▶ 15" Differential Drive® low-frequency driver with neodymium magnet for light weight and reduced distortion.
- ▶ 1" (throat diameter) JBL compression driver with 1.75" titanium diaphragm and ferro-fluid cooling.
- ▶ Internally Bi-amplified – 130 watts low frequency and 50 watts hi-frequency (bi-amplified) – actual power delivered to the drivers.
- ▶ Balanced, Mic/Line switchable, XLR input.
- ▶ Loop-through XLR output. "Daisy-chain" additional EON speakers.
- ▶ 90° x 60° (nominal) constant directivity horn.
- ▶ Thermomaster® Total Thermal Management System®. A single piece, cast-aluminum baffle integrates the woofer frame, horn, and amplifier heat sink. Air movement in the finned ports dissipates heat – no internal or external cooling fans are required.
- ▶ Rugged, lightweight (47 lbs.), co-polymer enclosure.
- ▶ Integral 35 mm pole mount receptacle with securing thumbscrew.
- ▶ Multi-angle enclosure for front of house or stage monitor application.
- ▶ Integral attachment points for optional JBL and third-party mounting brackets.

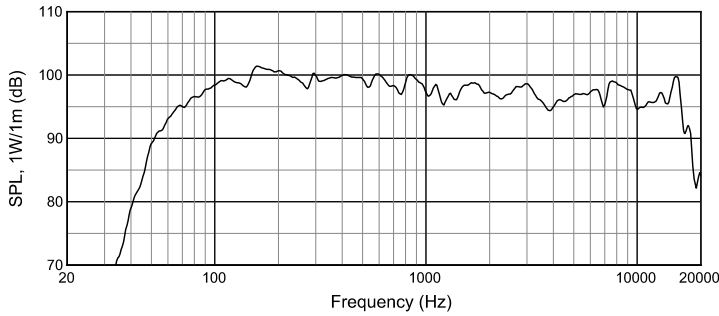


Specifications

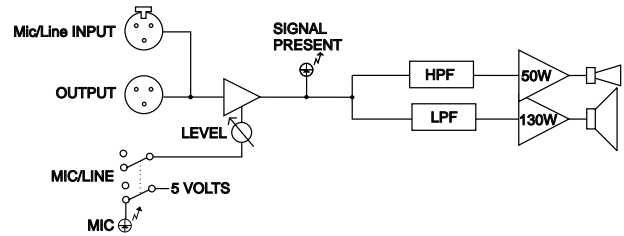
Freq. Range (-10 dB):	47 Hz - 18 kHz
Freq. Response (±3 dB):	65 Hz - 16 kHz
Horz. Coverage (-6 dB):	90° Nominal
Vert. Coverage (-6 dB):	60° Nominal
Rated Maximum SPL:	127 dB, @ 1 m (3.3 ft)
Dimensions (H x W x D):	686 mm x 430 mm x 444 mm (27 in x 17 in x 17.5 in)
Net Weight:	21 kg (47 lbs)
LF Driver:	Integral frame with 15" (380 mm) driver, neodymium magnet, 2" Differential Drive voice coil.
HF Driver:	JBL 2418H-1 1" (throat diameter) compression driver with 1.75" diameter titanium diaphragm. Ferro-fluid cooled.
Amplifier Power LF:	130 watts @ low-frequency driver impedance, <.1% THD.
Amplifier Power HF:	50 watts @ high-frequency driver impedance, <.1% THD.
Input Sensitivity:	-55 dBu to -2 dBu for rated output (Mic/Line switch in MIC position) +9 dBu to +26 dBu for rated output (Mic/Line switch in LINE position)
Enclosure Material:	Aluminum baffle, gray co-polymer enclosure and protective bezel
Audio Connectors:	
Input	XLR/F, balanced
LoopOut	XLR/M, balanced
Crossover Freq.:	1.5 kHz.
AC Input:	Switchable 115 - 230 VAC (±10%), 50 - 60 Hz., 175 watts rating per UL, detachable IEC (male) power connector.

▶ EON15P-1 Powered Speaker System

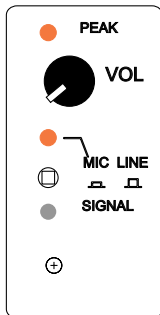
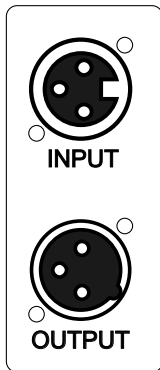
On Axis Frequency Response



Block Diagram



Audio Panel



Available Accessories

- SS2-BK Tripod Stand
- ESK15 Suspension Kit for EON 15" models
- BRK15 Bracket, adapts EON 15" models to OmniMount® brackets
- EON15 BAG Zippered, plush-lined Cordura® carrying bag
- EON15WB Zippered, plush-lined Cordura® carrying bag with wheels

JBL continually engages in research related to product improvement. New materials, production methods, and design refinements are introduced into existing products without notice as a routine expression of that philosophy. For this reason, any current JBL product may differ in some respect from its published description, but will always equal or exceed the original design specifications unless otherwise stated.

©Copyright 2001 JBL Professional



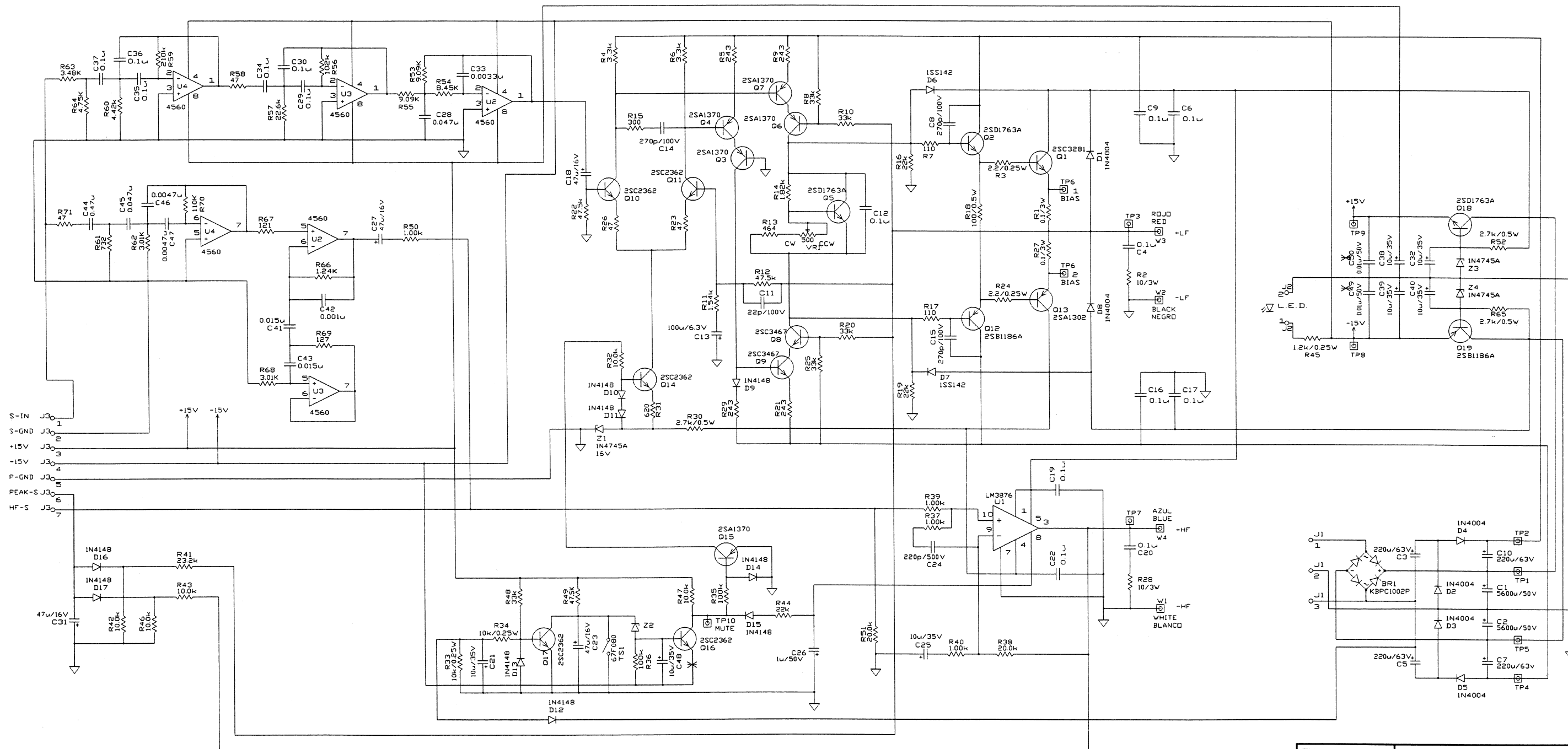
JBL Professional
8500 Balboa Boulevard, P.O. Box 2200
Northridge, California 91329 U.S.A.


■ A Harman International Company

SSEON15P-1
CRP 15M
7/01

Schematic Amp Assembly EON Power15

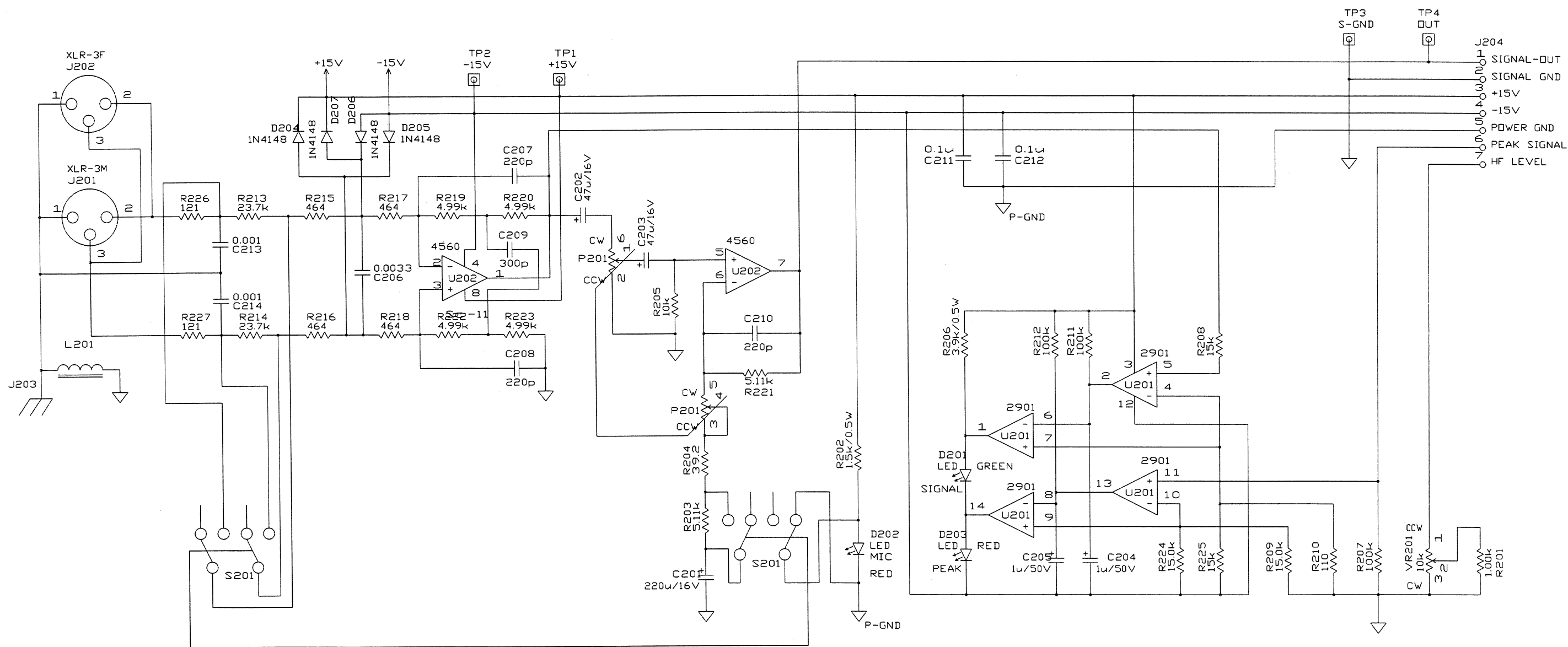
These Drawings and Specifications are the Property of JBL Professional Inc. They are Issued in Strict Confidence and Shall Not Be Reproduced, Copied, or Used as the Basis for Manufacturing or Sale of Apparatus Without Written Permission.



	JBL Professional A Harman International Company Northridge, California 91329, USA	
	SCHEMATIC, MAIN BOARD	
	500-00002	REV B

Schematic Signal Input Assembly EON Power15

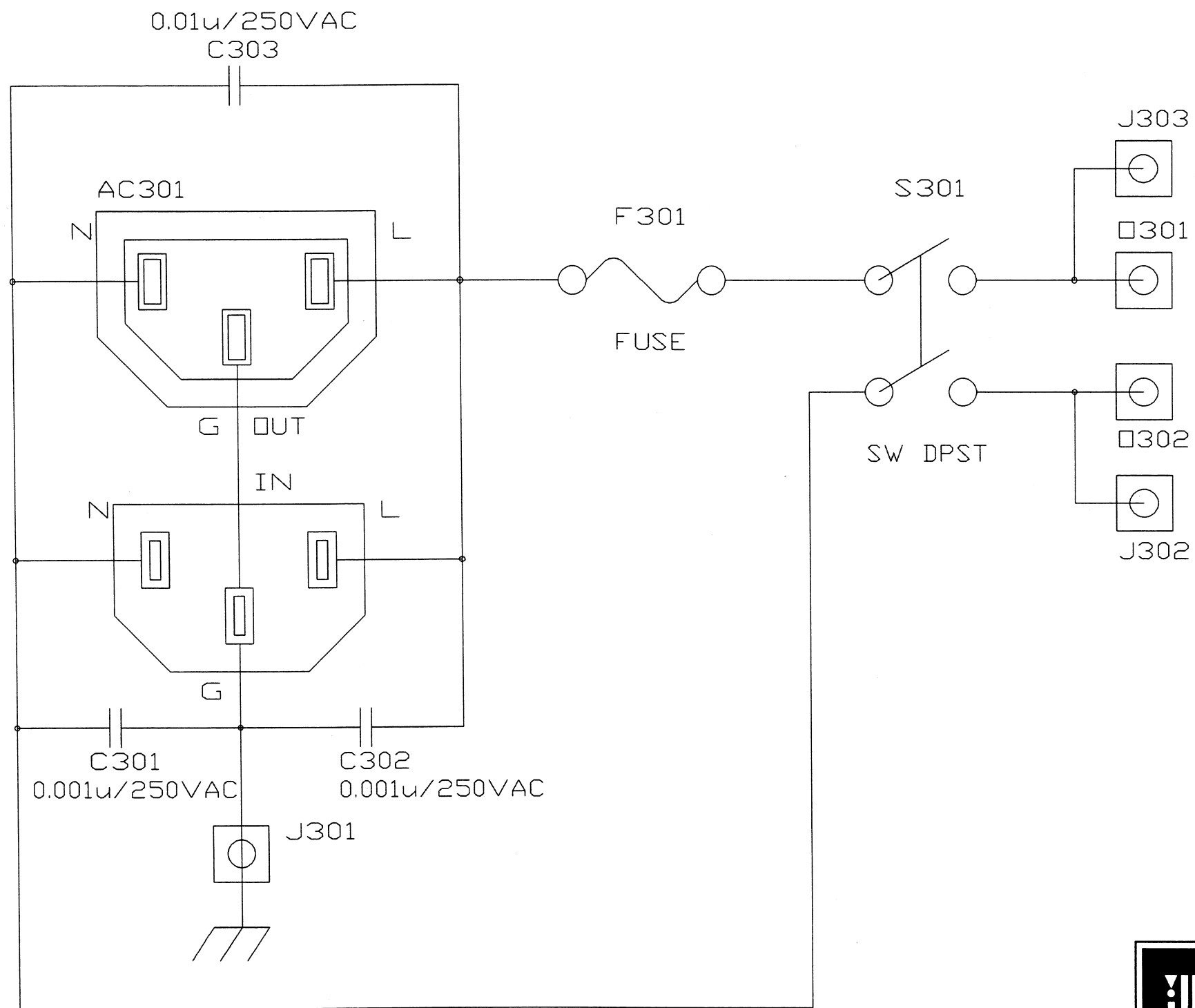
These Drawings and Specifications are the Property of JBL Professional Inc. They are Issued in Strict Confidence and Shall Not Be Reproduced, Copied, or Used as the Basis for Manufacturing or Sale of Apparatus Without Written Permission.



JBL PROFESSIONAL	JBL Professional A Harman International Company Northridge, California 91329, USA	
	SCHEMATIC, SIGNAL INPUT	
	500-00000	REV A

Schematic AC Input Assembly EON Power15

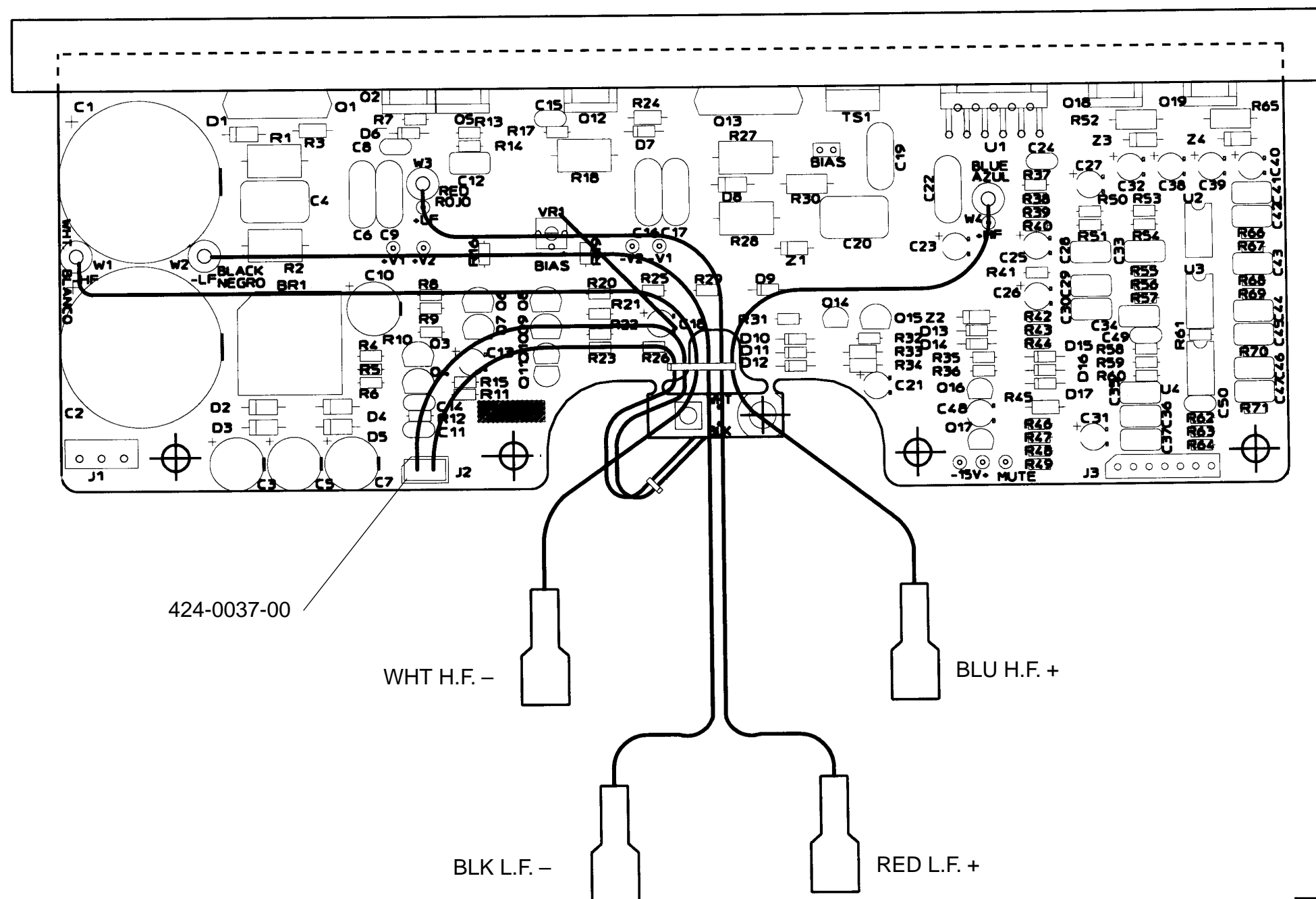
These Drawings and Specifications are the Property of JBL Professional Inc. They are Issued in Strict Confidence and Shall Not Be Reproduced, Copied, or Used as the Basis for Manufacturing or Sale of Apparatus Without Written Permission.



	JBL Professional A Harman International Company Northridge, California 91329, USA	
	SCHEMATIC, AC INPUT	
	500-00001	REV A

PCB Amp Assembly EON Power15

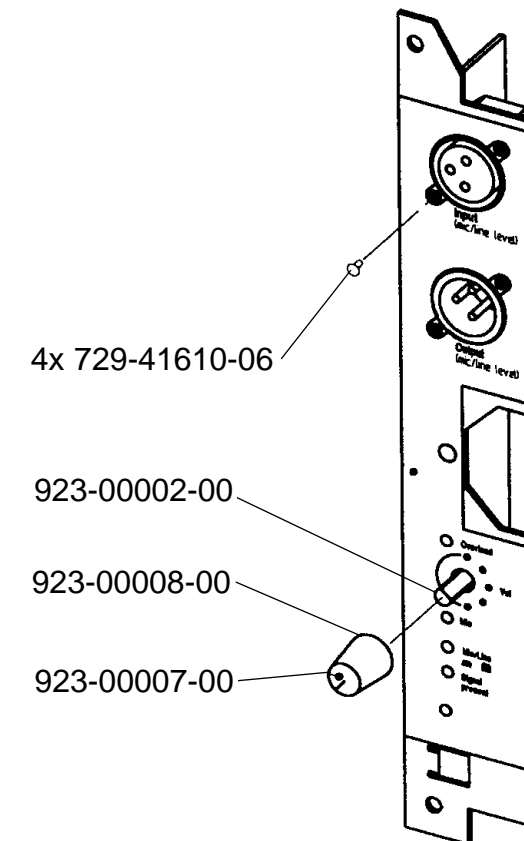
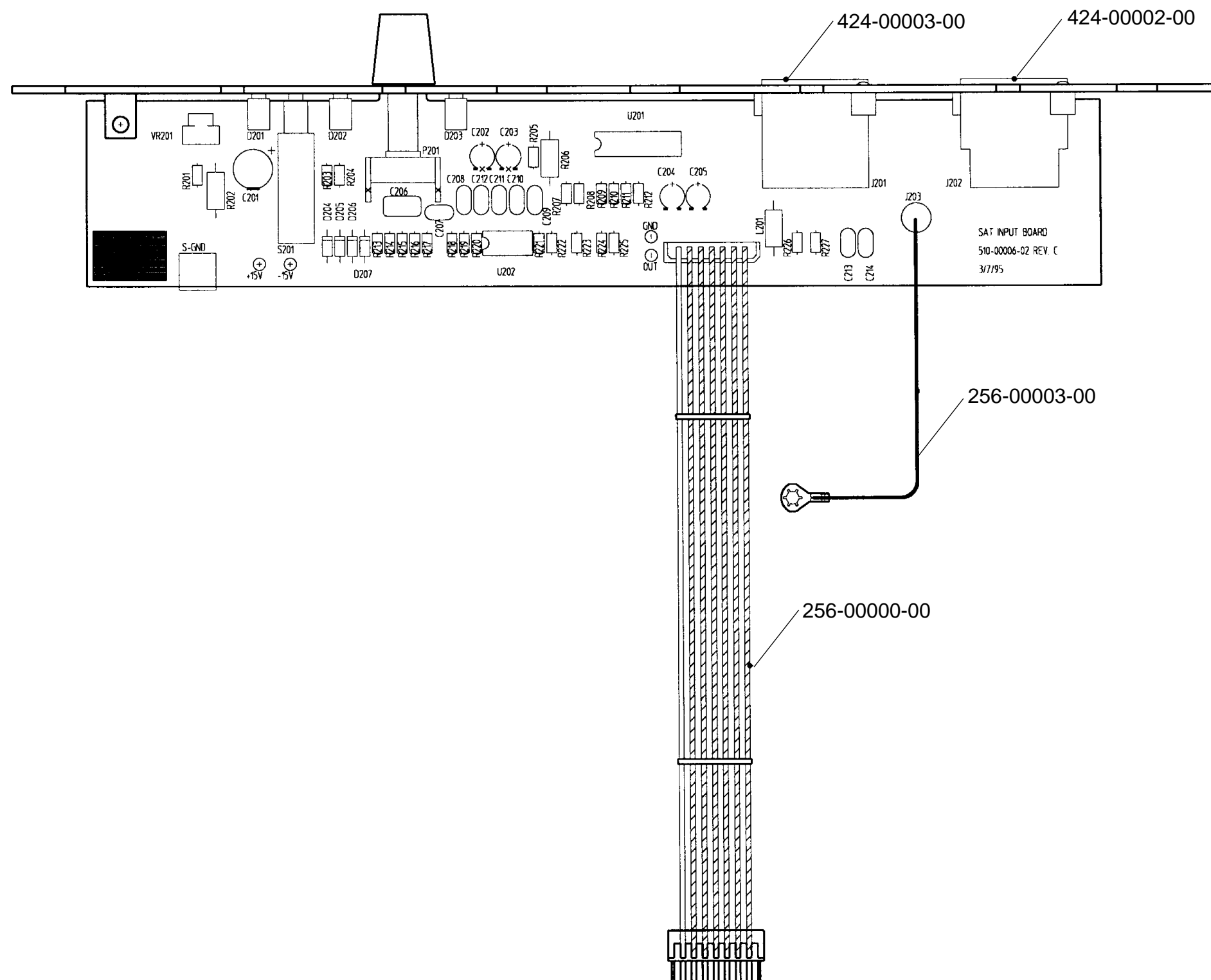
These Drawings and Specifications are the Property of JBL Professional Inc. They are Issued in Strict Confidence and Shall Not Be Reproduced, Copied, or Used as the Basis for Manufacturing or Sale of Apparatus Without Written Permission.



JBL PROFESSIONAL	JBL Professional A Harman International Company Northridge, California 91329, USA	
	DRAWING	
	513-00007	REV H

PCB Signal Input Assembly EON Power15

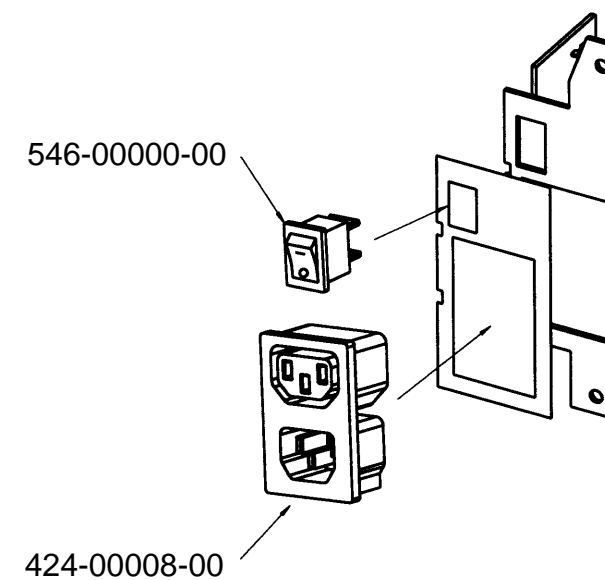
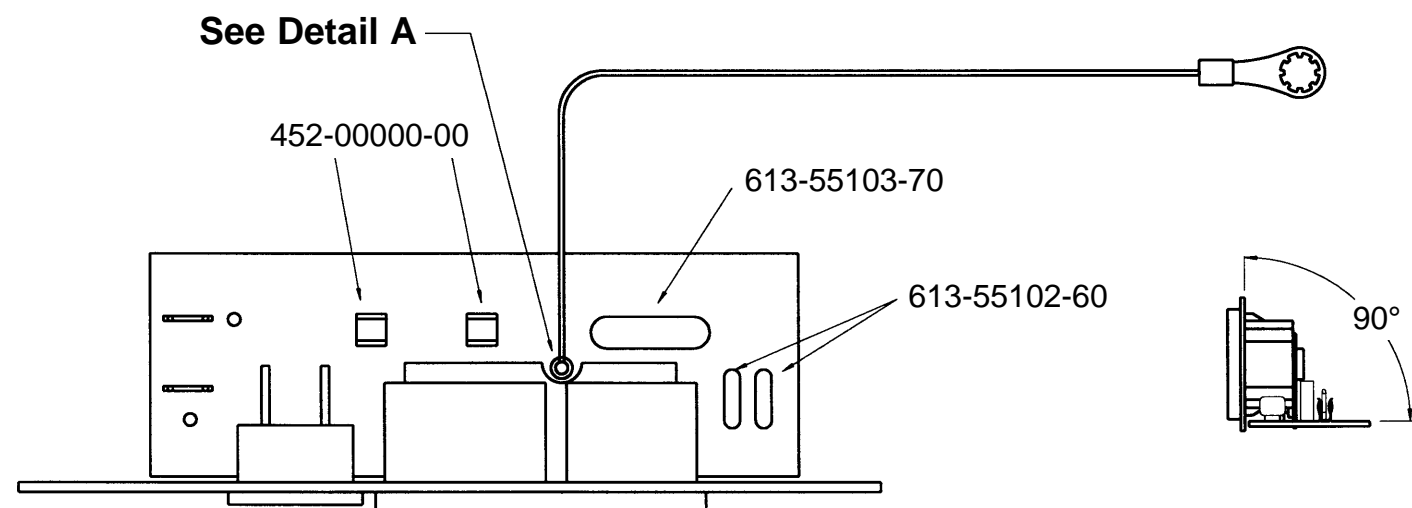
These Drawings and Specifications are the Property of JBL Professional Inc. They are Issued in Strict Confidence and Shall Not Be Reproduced, Copied, or Used as the Basis for Manufacturing or Sale of Apparatus Without Written Permission.



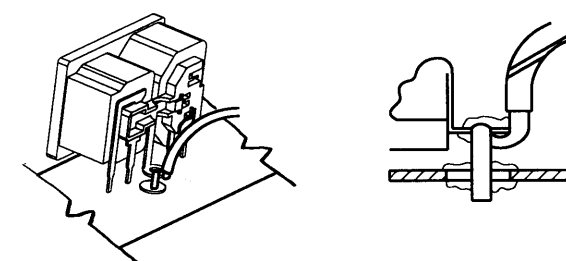
JBL PROFESSIONAL	JBL Professional A Harman International Company Northridge, California 91329, USA	
	DRAWING	
	513-00006	REV D

PCB AC Input Assembly EON Power15

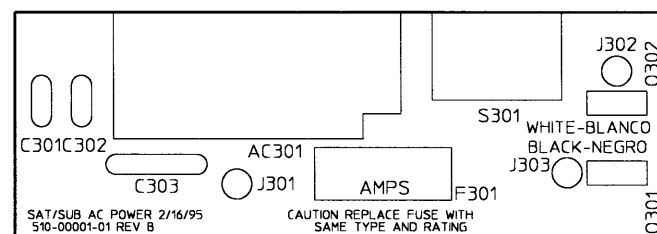
These Drawings and Specifications are the Property of JBL Professional Inc. They are Issued in Strict Confidence and Shall Not Be Reproduced, Copied, or Used as the Basis for Manufacturing or Sale of Apparatus Without Written Permission.



Detail A

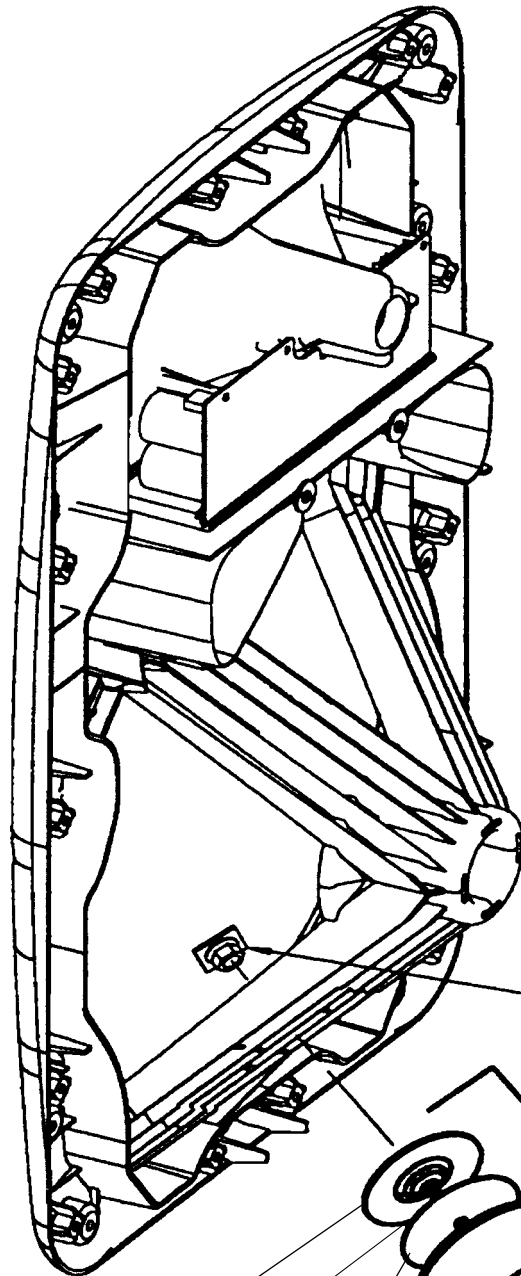


Mechanical Ground Connection as Shown (J301)



JBL PROFESSIONAL	JBL Professional A Harman International Company Northridge, California 91329, USA	
	DRAWING	
	513-00001	REV D

Transformer Mounting Power15, EON15P-1/230 and Powersub



Nut, XFormer (1)
Special 1/4-20
321244-001

Transformer Assy
(See Parts List)

Washer, Mounting
Transformer (2)
321321-001

Washer (1)
885-00088-00
(P1/230)

Pad, Mounting
Transformer (2)
321319-001

Washer (1)
Fender, #10, STNLS
844-90001-07
(P-1/230)

Screw, XFormer (1)
25-20 x 3.25 SCKT,HEX, ZINC
854-03001-44 (220V)
854-03073-52 (120V) (P-
1/230)

Note: Part numbers 321321-001 and 321319-001 are not used on the P-1/230 version